

# Two Tier **Bike Rack** BR.375\_S

single, spacing 375 mm

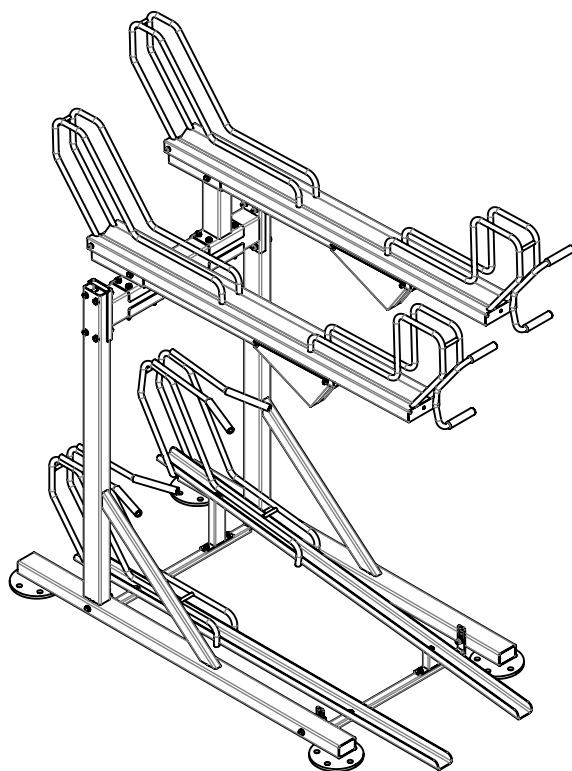
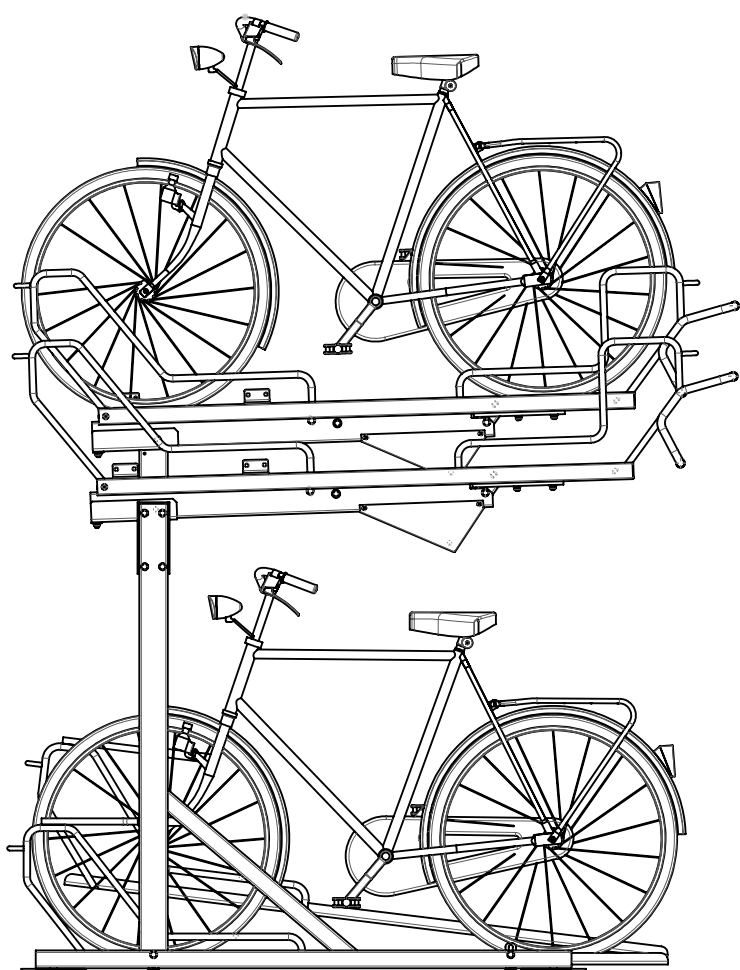
Base Modules

Extension Modules

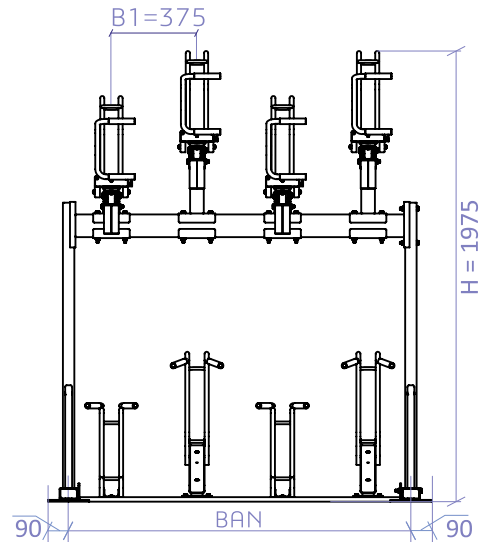
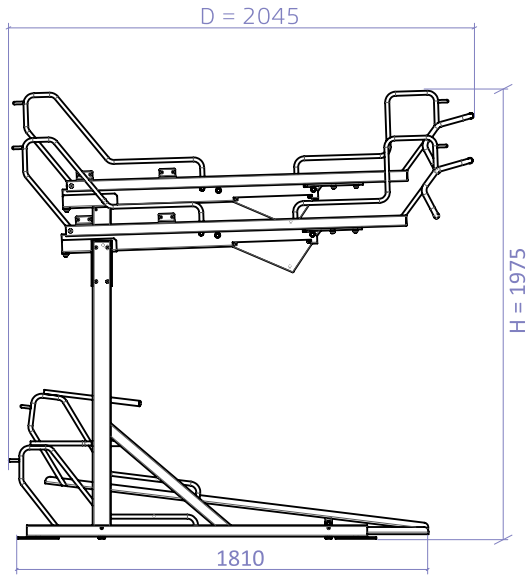
Dimensions

Models

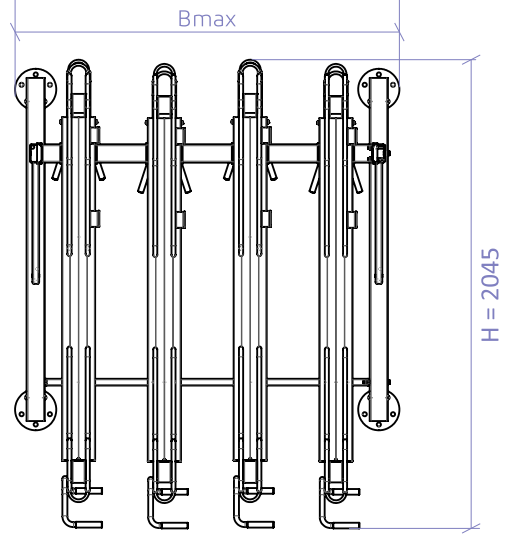
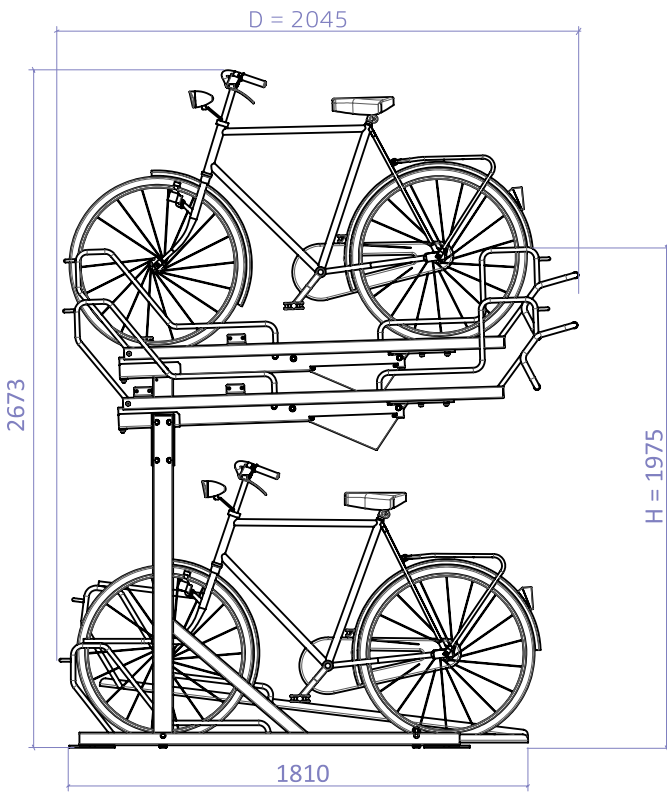
Configuration example



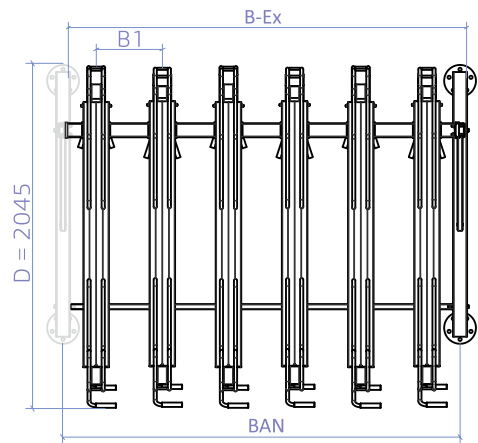
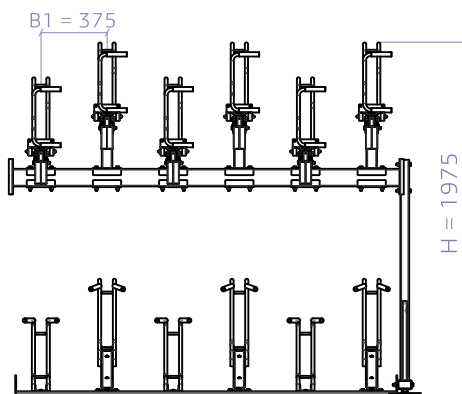
# Basic Modules - main dimensions



*spacing 375*



# Extension Modules - main dimensions



*spacing 375*

## BR.375\_S\_X\_XX

## Single Basic-1 Modules. *spacing 375*

DIMENSIONS: BR.375\_S\_B\_XX

TYPE	D	B1	BAN	B max	Weight [kg]
BR.375_S_B_16	2045	375	3000	3180	356
BR.375_S_B_12	2045	375	2250	2430	279
BR.375_S_B_08	2045	375	1500	1680	201
BR.375_S_B_04	2045	375	750	930	123

Extension modules for single Basic-1 modules. *spacing 375*

DIMENSIONS: BR.375\_S\_E\_XX

TYPE	D	B1	BAN	B-Ex	Weight [kg]
BR.375_S_E_16	2045	375	3000	3000	334
BR.375_S_E_14*	2045	375	2625	2625	295
BR.375_S_E_12	2045	375	2250	2250	257
BR.375_S_E_10*	2045	375	1875	1875	217
BR.375_S_E_08	2045	375	1500	1500	179
BR.375_S_E_06*	2045	375	1125	1125	139
BR.375_S_E_04	2045	375	750	750	101

\* An extension can only be used as the last module in a row

## Single Basic-2 Modules. *spacing 375*

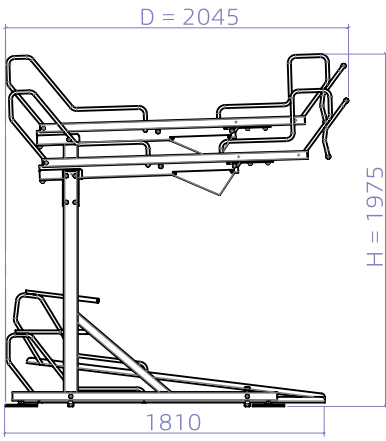
DIMENSIONS: BR.375\_S\_B\_XX **Non-extensible modules**

TYPE	D	B1	BAN	B max	Weight [kg]
BR.375_S_B_14**	2045	375	2625	2805	317
BR.375_S_B_10**	2045	375	1875	2055	239
BR.375_S_B_06**	2045	375	1125	1305	161

\*\*Free-standing racks only - cannot be extended with additional modules

# Single Basic-1 Modules

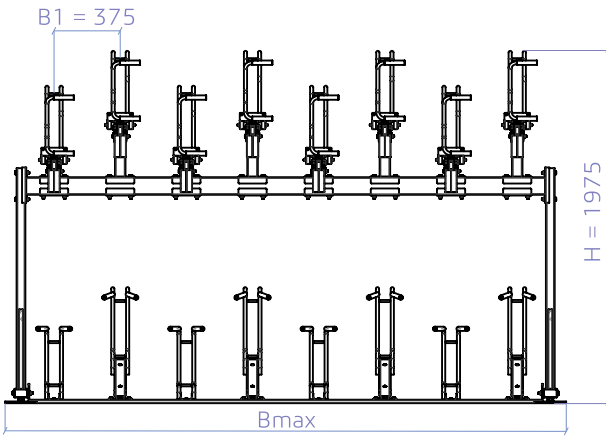
spacing 375



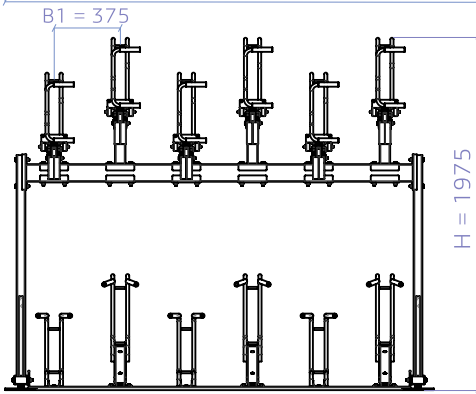
## DIMENSIONS: BR.375\_S\_B\_xx

TYPE	D	B1	BAN	B max	Weight [kg]
BR.375_S_B_16	2045	375	3000	3180	356
BR.375_S_B_12	2045	375	2250	2430	279
BR.375_S_B_08	2045	375	1500	1680	201
BR.375_S_B_04	2045	375	750	930	123

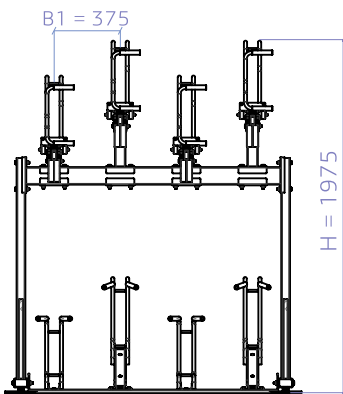
BR.375\_S\_B\_16



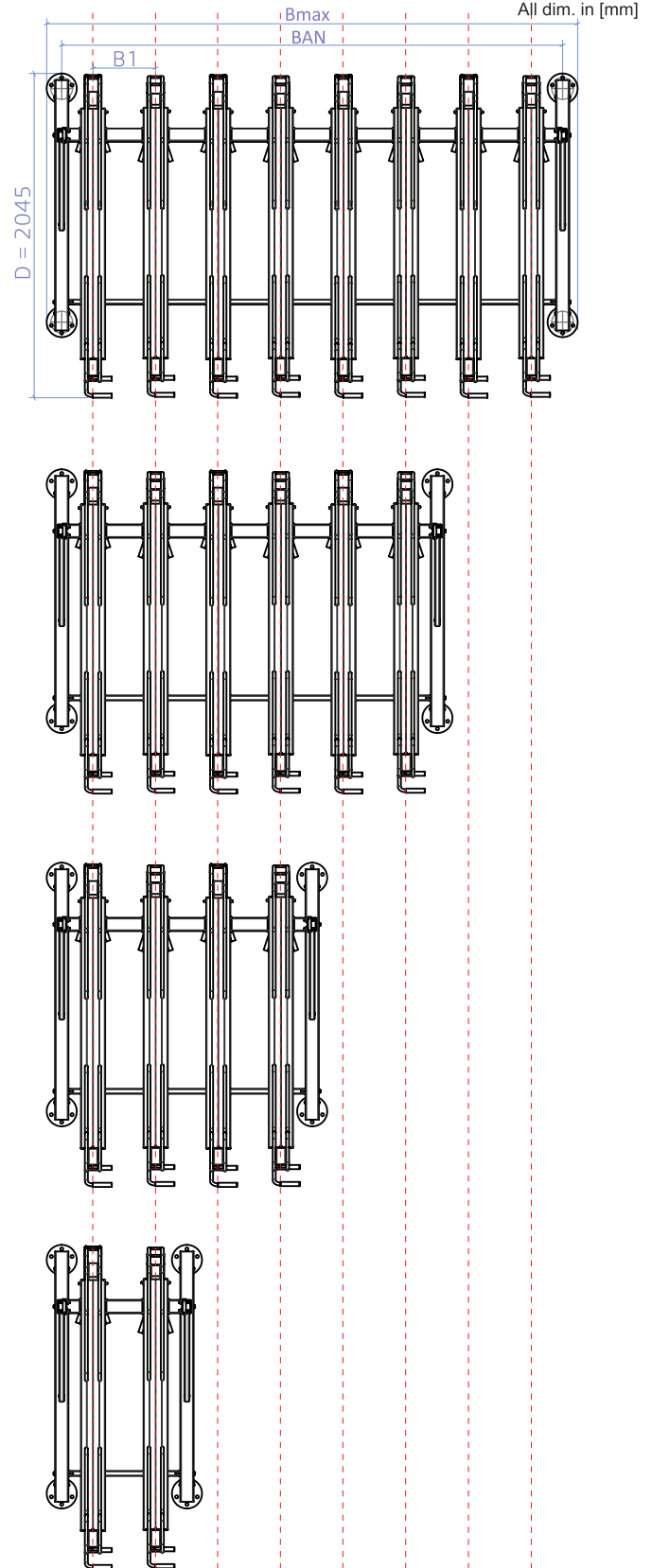
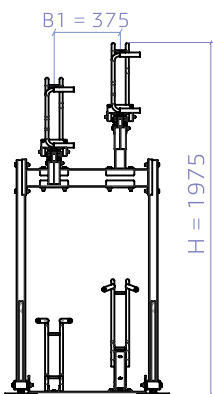
BR.375\_S\_B\_12



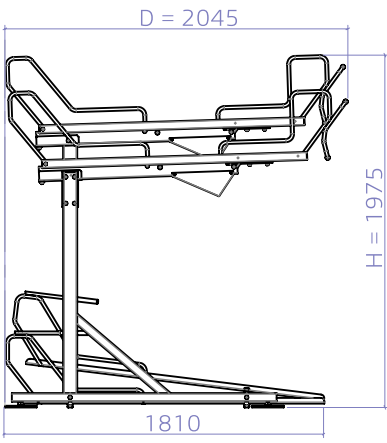
BR.375\_S\_B\_08



BR.375\_S\_B\_04



# Extension modules for single Basic-1 modules. *spacing 375*



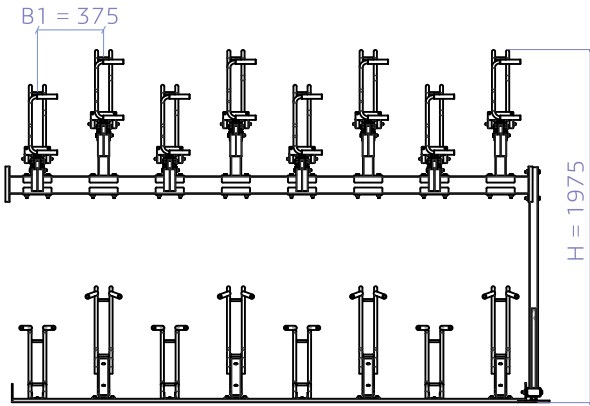
## DIMENSIONS: BR.375\_S\_E\_xx

TYPE	D	B1	BAN	B-Ex	Weight [kg]
BR.375_S_E_16	2045	375	3000	3000	334
BR.375_S_E_14*	2045	375	2625	2625	295
BR.375_S_E_12	2045	375	2250	2250	257
BR.375_S_E_10*	2045	375	1875	1875	217

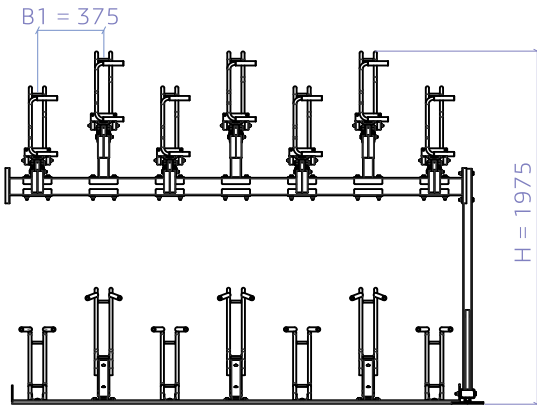
\* An extension can only be used as the last module in a row

All dim. in [mm]

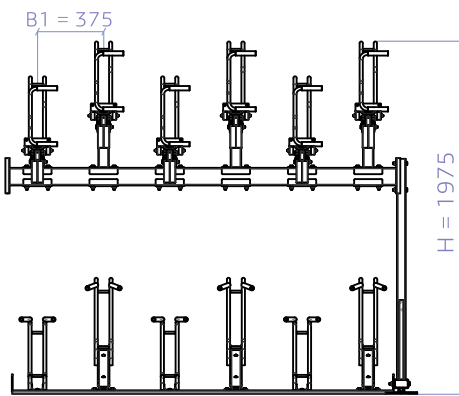
BR.375\_S\_E\_16



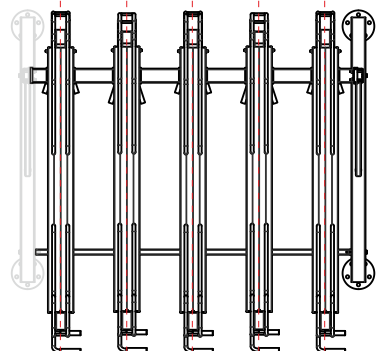
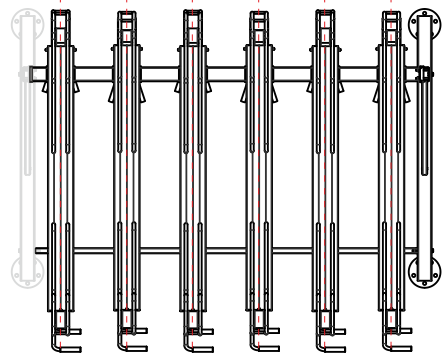
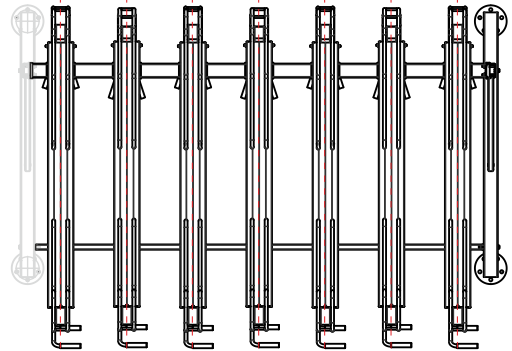
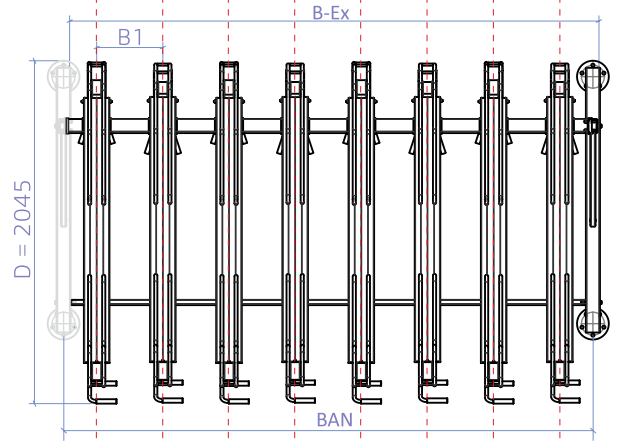
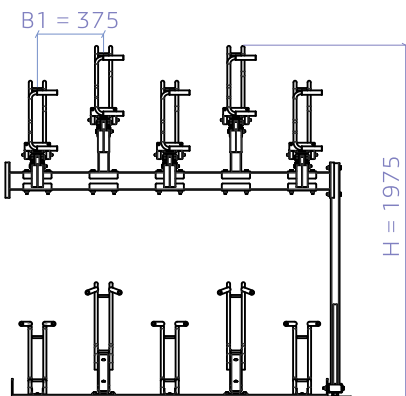
BR.375\_S\_E\_14



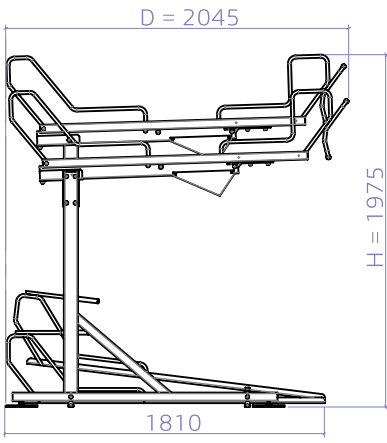
BR.375\_S\_E\_12



BR.375\_S\_E\_10



# Extension modules for single Basic-1 modules. *spacing 375*



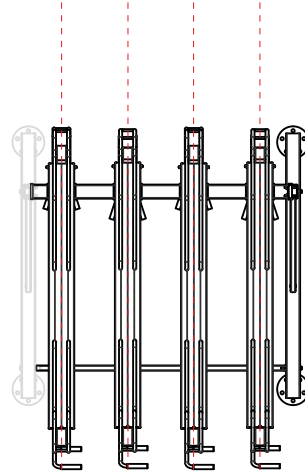
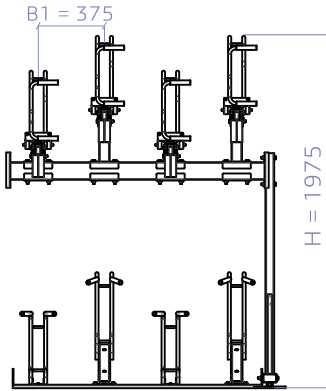
## DIMENSIONS: BR.375\_S\_E\_xx

TYPE	D	B1	BAN	B-Ex	Weight [kg]
BR.375_S_E_08	2045	375	1500	1500	179
BR.375_S_E_06*	2045	375	1125	1125	139
BR.375_S_E_04	2045	375	750	750	101

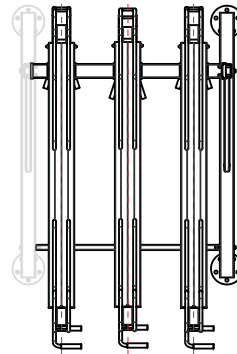
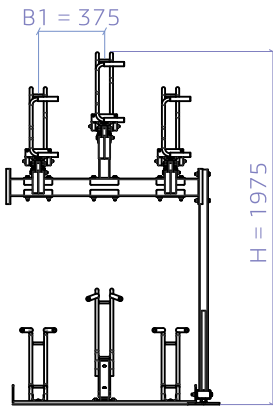
\* An extension can only be used as the last module in a row

All dim. in [mm]

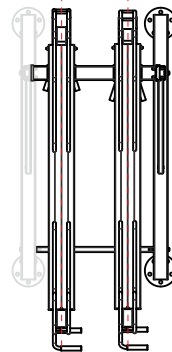
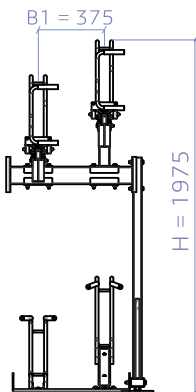
BR.375\_S\_E\_08



BR.375\_S\_E\_06



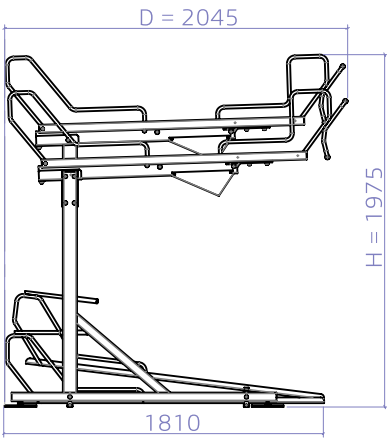
BR.375\_S\_E\_04



# Single Basic-2 Modules

spacing 375

## Non-extensible modules



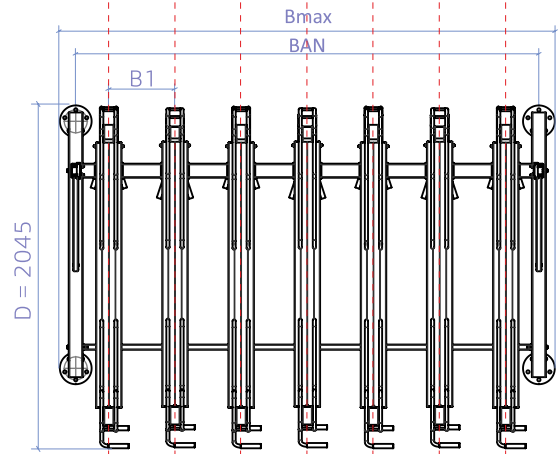
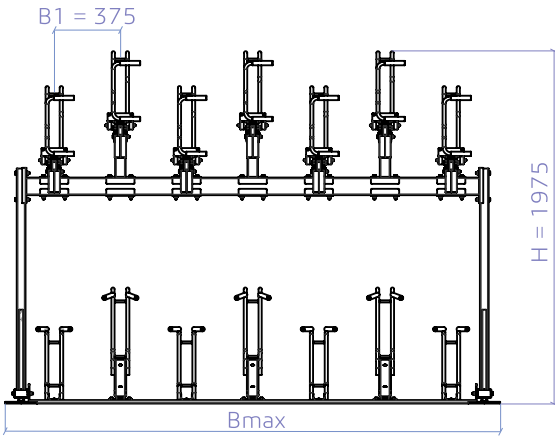
### DIMENSIONS: BR.375\_S\_B\_xx

TYPE	D	B1	BAN	B max	Weight [kg]
BR.375_S_B_14**	2045	375	2625	2805	317
BR.375_S_B_10**	2045	375	1875	2055	239
BR.375_S_B_06**	2045	375	1125	1305	161

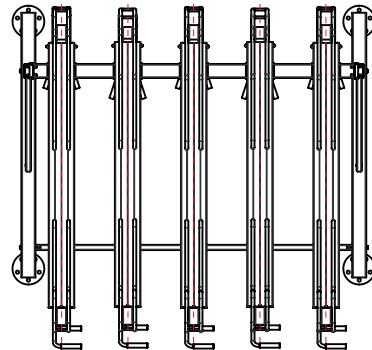
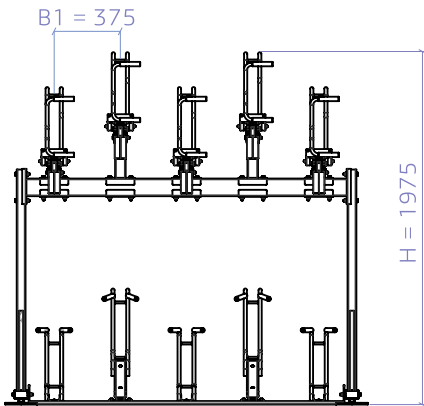
\*\*Free-standing racks only - cannot be extended with additional modules

All dim. in [mm]

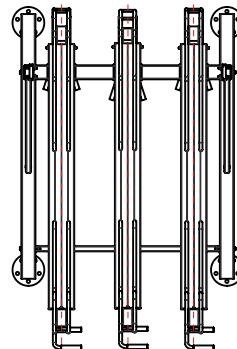
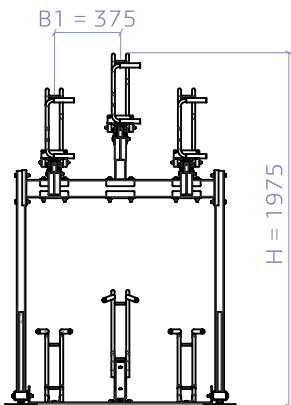
BR.375\_S\_B\_14



BR.375\_S\_B\_10



BR.375\_S\_B\_06



# Configuration example 1

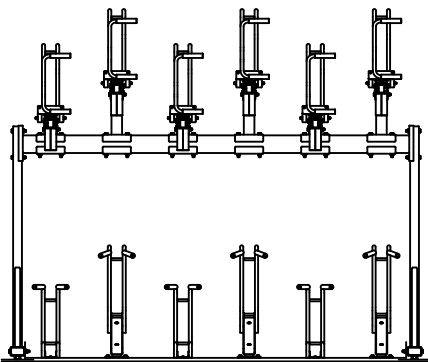
## DIMENSIONS: BR.375\_S\_B\_12

TYPE	D	B1	BAN	B max	Weight [kg]
BR.375_S_B_12	2045	375	2250	2430	279

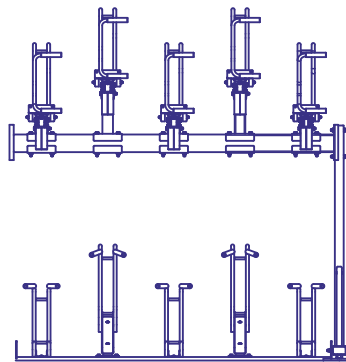
## DIMENSIONS: BR.375\_S\_E\_10

TYPE	D	B1	BAN	B-Ex	Weight [kg]
BR.375_S_E_10	2045	375	1875	1875	217

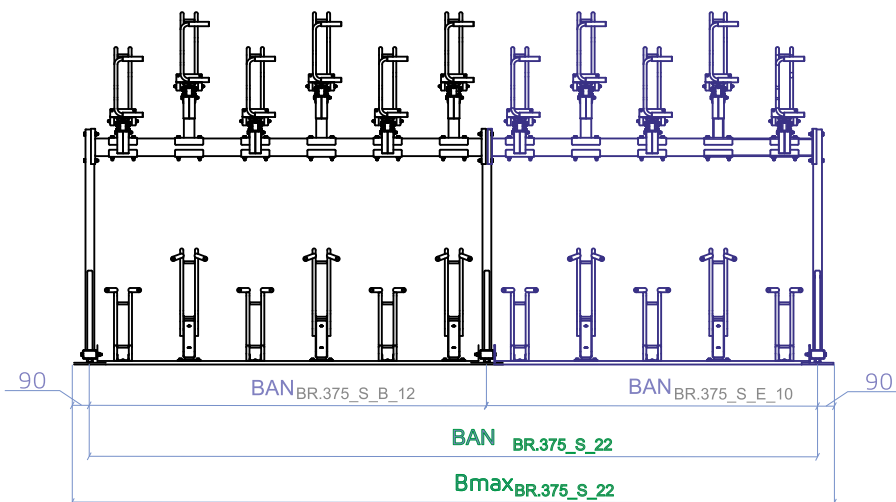
### BR.375\_S\_B\_12



### BR.375\_S\_E\_10



## BR.375\_S\_B\_12 + BR.375\_S\_E\_10 = BR.375\_S\_22



$$BAN_{BR.375_S_B_12} = 2250 \text{ mm}$$

$$BAN_{BR.375_S_E_10} = 1875 \text{ mm}$$

$$BAN_{BR.375_S_22} = BAN_{BR.375_S_B_12} + BAN_{BR.375_S_E_10} = 2250 + 1875 = 4125 \text{ mm}$$

$$Bmax_{BR.375_S_22} = BAN_{BR.375_S_B_12} + BAN_{BR.375_S_E_10} + 90 + 90 = 2250 + 1875 + 90 + 90 = 4305 \text{ mm}$$

$$Weight_{BR.375_S_22} = Weight_{BR.375_S_B_12} + Weight_{BR.375_S_E_10} = 279 + 217 = 496 \text{ kg}$$

## DIMENSIONS: BR.375\_S\_22

TYPE	D	B1	BAN	B max	Weight [kg]
BR.375_S_22	2045	375	4125	4305	496



# Configuration example 2

## DIMENSIONS: BR.375\_S\_B\_16

TYPE	D	B1	BAN	B max	Weight [kg]
BR.375_S_B_16	2045	375	3000	3180	356

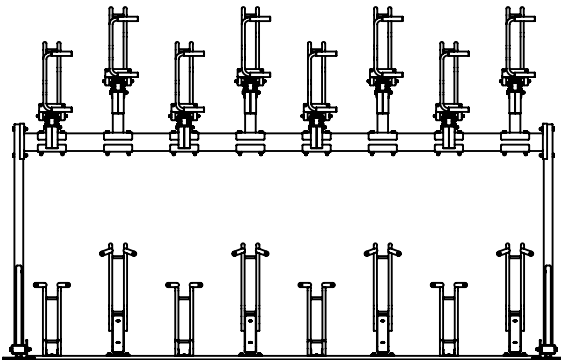
## DIMENSIONS: BR.375\_S\_E\_16

TYPE	D	B1	BAN	B-Ex	Weight [kg]
BR.375_S_E_16	2045	375	3000	3000	334

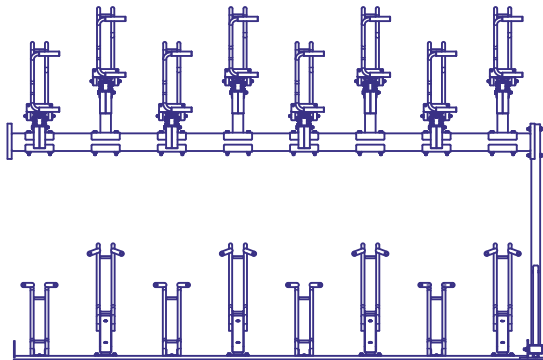
## DIMENSIONS: BR.375\_S\_E\_10

TYPE	D	B1	BAN	B-Ex	Weight [kg]
BR.375_S_E_10	2045	375	1875	1875	217

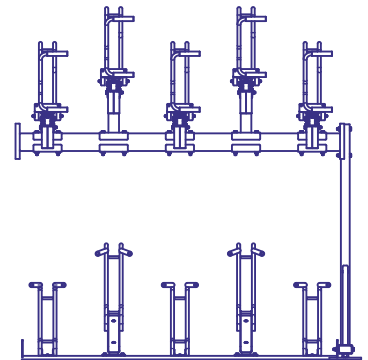
### BR.375\_S\_B\_16



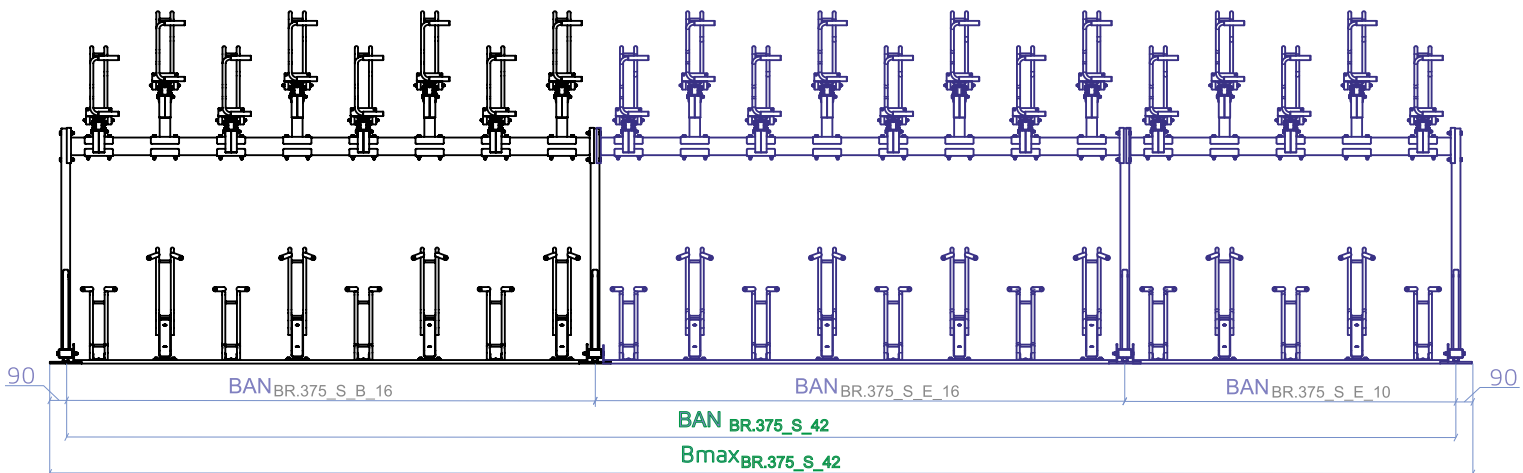
### BR.375\_S\_E\_16



### BR.375\_S\_E\_10



$$BR.375_S_B_16 + BR.375_S_E_16 + BR.375_S_E_10 = BR.375_S_42$$



$$BAN_{BR.375_S_B_16} = 2250 \text{ mm}$$

$$BAN_{BR.375_S_E_16} = 1875 \text{ mm}$$

$$BAN_{BR.375_S_E_10} = 1875 \text{ mm}$$

$$BAN_{BR.375_S_42} = BAN_{BR.375_S_B_16} + BAN_{BR.375_S_E_16} + BAN_{BR.375_S_E_10} = 3000 + 3000 + 1875 = 7875 \text{ mm}$$

$$B_{max_{BR.375_S_42}} = BAN_{BR.375_S_B_16} + BAN_{BR.375_S_E_16} + BAN_{BR.375_S_E_10} + 90 + 90 = 3000 + 3000 + 1875 + 90 + 90 = 8055 \text{ mm}$$

$$Weight_{BR.375_S_42} = Weight_{BR.375_S_B_16} + Weight_{BR.375_S_E_16} + Weight_{BR.375_S_E_10} = 356 + 334 + 217 = 907 \text{ kg}$$

## DIMENSIONS: BR.375\_S\_42

TYPE	D	B1	BAN	B max	Weight [kg]
BR.375_S_42	2045	375	7875	8055	907

# ... other important dimensions

