

Two Tier **Bike Rack** BR.375_S

single, spacing 375 mm

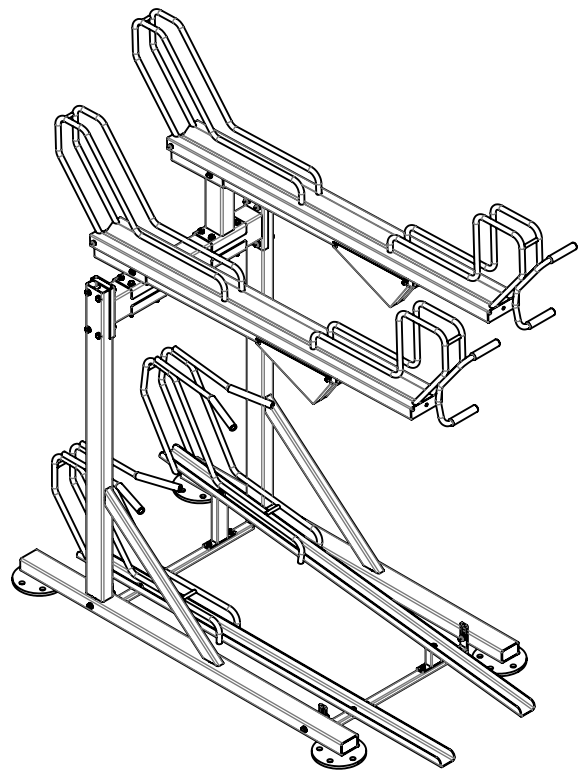
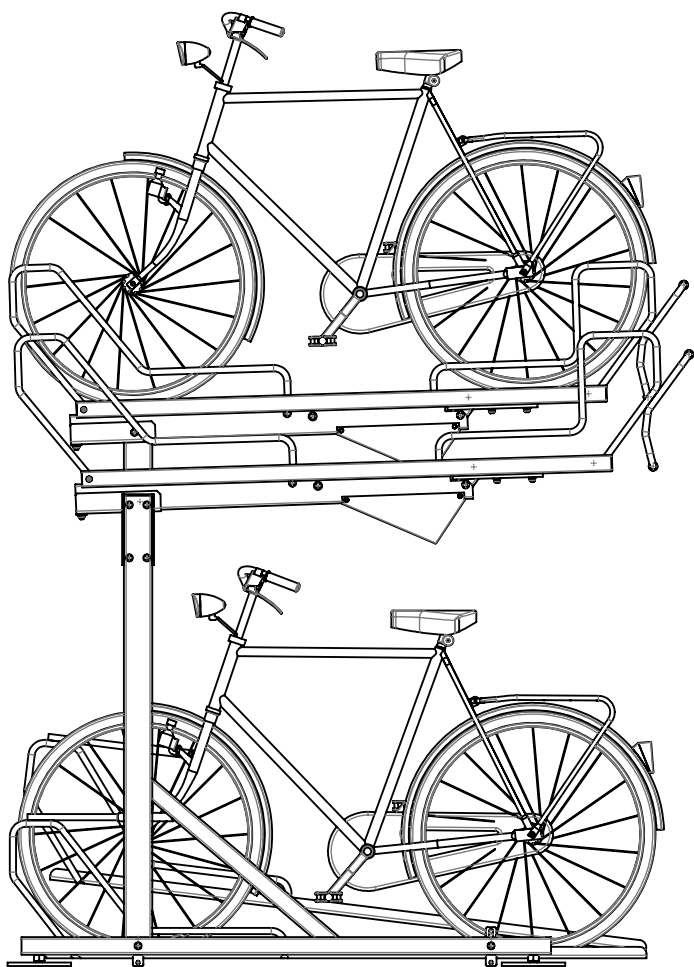
Base Modules

Extension Modules

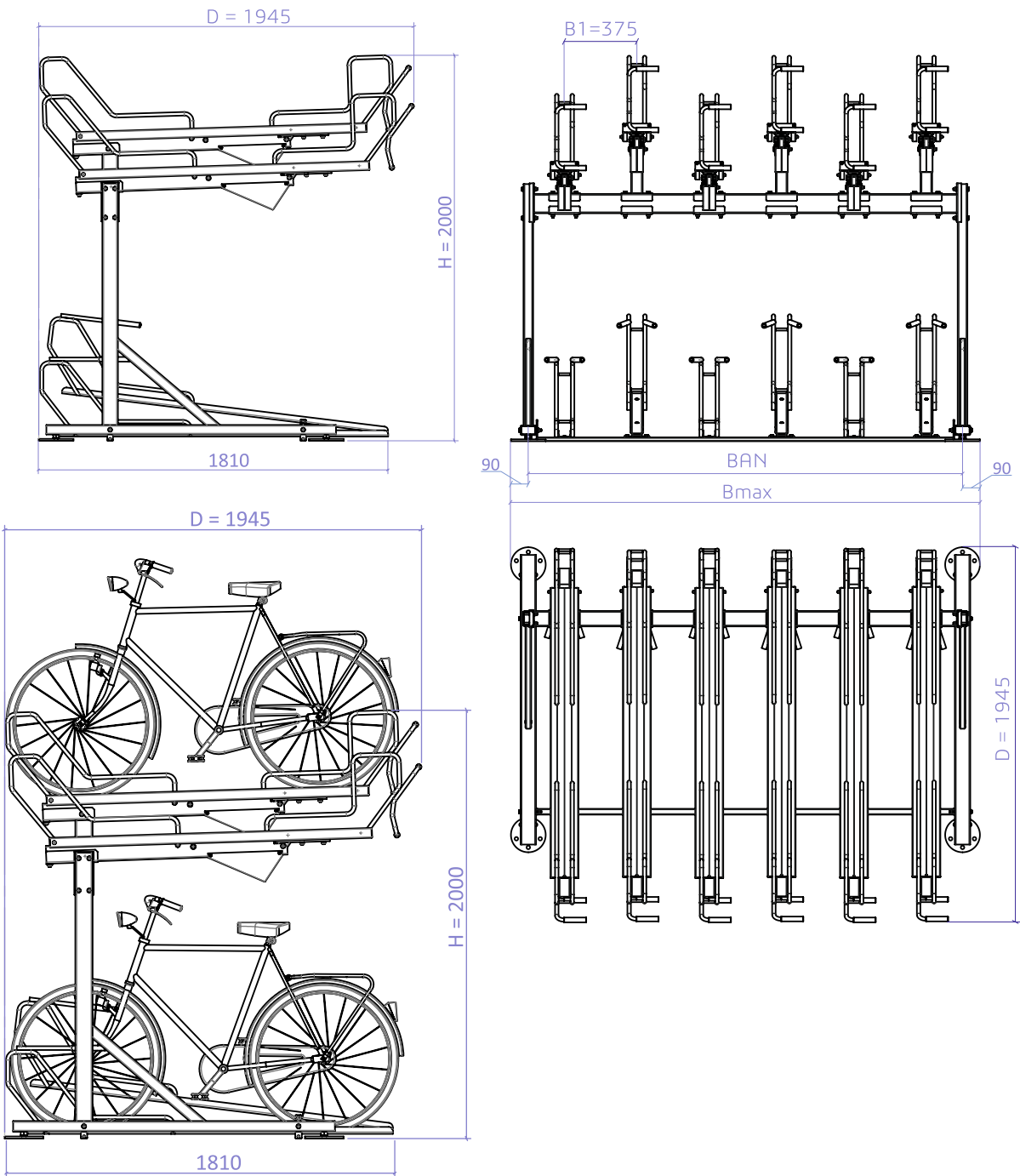
Dimensions

Models

Configuration example

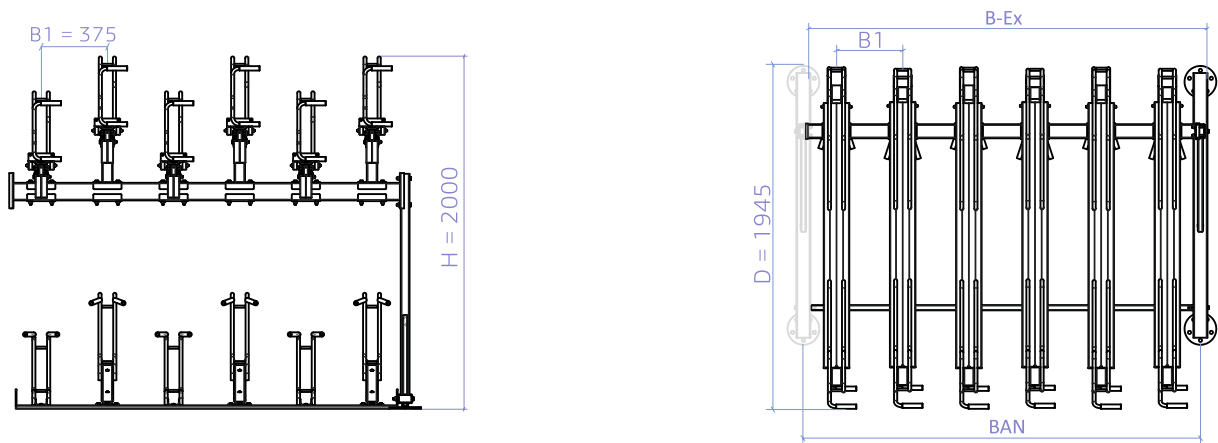


Basic Modules - main dimensions



spacing 375

Extension Modules - main dimensions



spacing 375

BR.375_S_X_XX

Single Basic-1 Modules. *spacing 375*

DIMENSIONS: BR.375_S_B_XX

| TYPE | D | B1 | BAN | B max | Weight [kg] |
|---------------|------|-----|------|-------|-------------|
| BR.375_S_B_16 | 1945 | 375 | 3000 | 3180 | 356 |
| BR.375_S_B_12 | 1945 | 375 | 2250 | 2430 | 279 |
| BR.375_S_B_08 | 1945 | 375 | 1500 | 1680 | 201 |
| BR.375_S_B_04 | 1945 | 375 | 750 | 930 | 123 |

Extension modules for single Basic-1 modules. *spacing 375*

DIMENSIONS: BR.375_S_E_XX

| TYPE | D | B1 | BAN | B-Ex | Weight [kg] |
|----------------|------|-----|------|------|-------------|
| BR.375_S_E_16 | 1945 | 375 | 3000 | 3000 | 334 |
| BR.375_S_E_14* | 1945 | 375 | 2625 | 2625 | 295 |
| BR.375_S_E_12 | 1945 | 375 | 2250 | 2250 | 257 |
| BR.375_S_E_10* | 1945 | 375 | 1875 | 1875 | 217 |
| BR.375_S_E_08 | 1945 | 375 | 1500 | 1500 | 179 |
| BR.375_S_E_06* | 1945 | 375 | 1125 | 1125 | 139 |
| BR.375_S_E_04 | 1945 | 375 | 750 | 750 | 101 |

* An extension can only be used as the last module in a row

Single Basic-2 Modules. *spacing 375*

DIMENSIONS: BR.375_S_B_XX

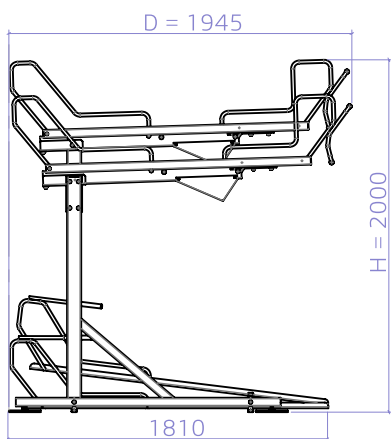
Non-extensible modules

| TYPE | D | B1 | BAN | B max | Weight [kg] |
|-----------------|------|-----|------|-------|-------------|
| BR.375_S_B_14** | 1945 | 375 | 2625 | 2805 | 317 |
| BR.375_S_B_10** | 1945 | 375 | 1875 | 2055 | 239 |
| BR.375_S_B_06** | 1945 | 375 | 1125 | 1305 | 161 |

**Free-standing racks only - cannot be extended with additional modules

Single Basic-1 Modules

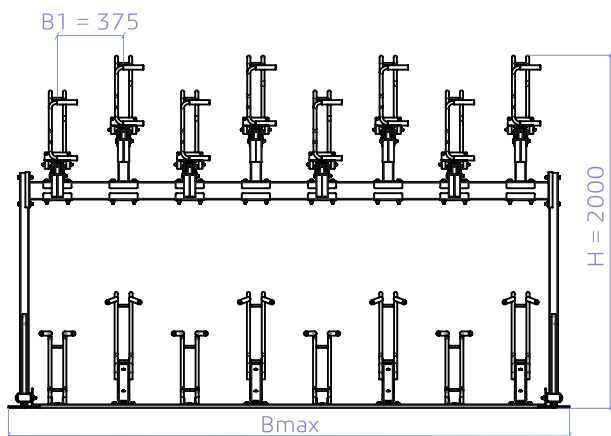
spacing 375



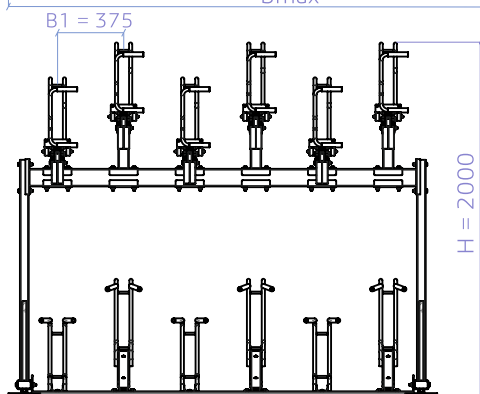
DIMENSIONS: BR.375_S_B_xx

| TYPE | D | B1 | BAN | B max | Weight [kg] |
|---------------|------|-----|------|-------|-------------|
| BR.375_S_B_16 | 1945 | 375 | 3000 | 3180 | 356 |
| BR.375_S_B_12 | 1945 | 375 | 2250 | 2430 | 279 |
| BR.375_S_B_08 | 1945 | 375 | 1500 | 1680 | 201 |
| BR.375_S_B_04 | 1945 | 375 | 750 | 930 | 123 |

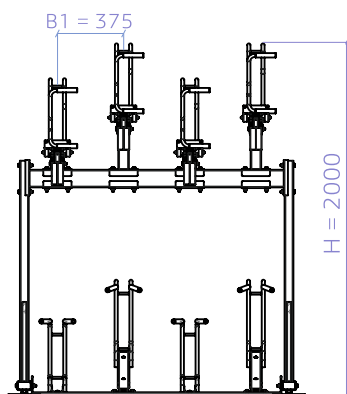
BR.375_S_B_16



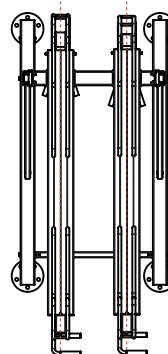
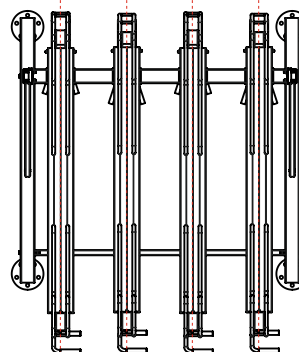
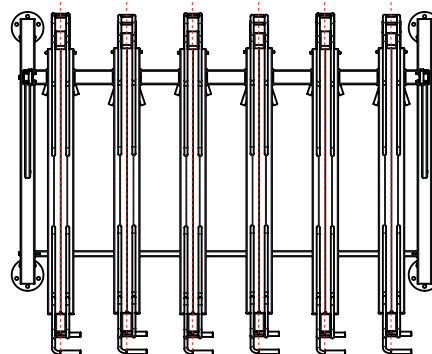
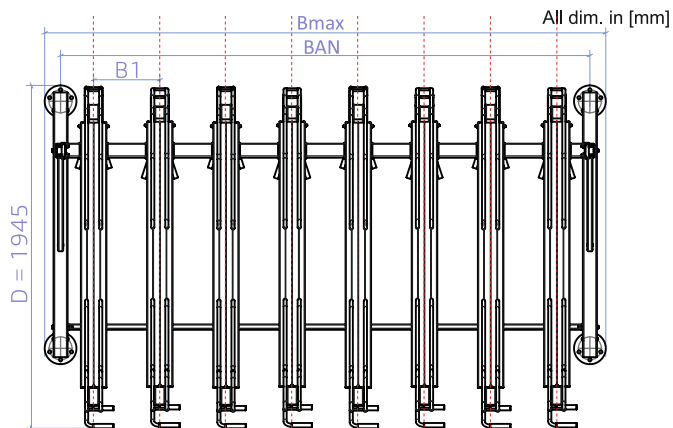
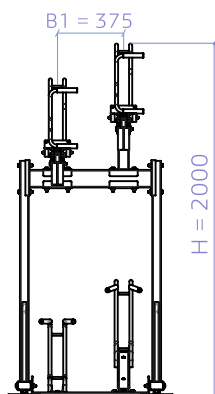
BR.375_S_B_12



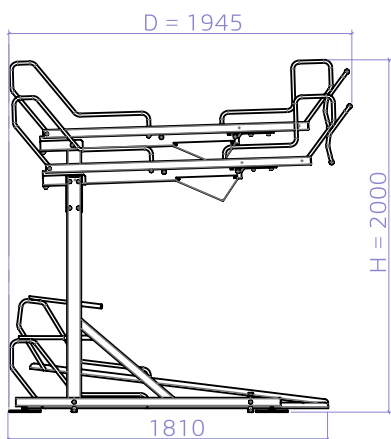
BR.375_S_B_08



BR.375_S_B_04



Extension modules for single Basic-1 modules. *spacing 375*

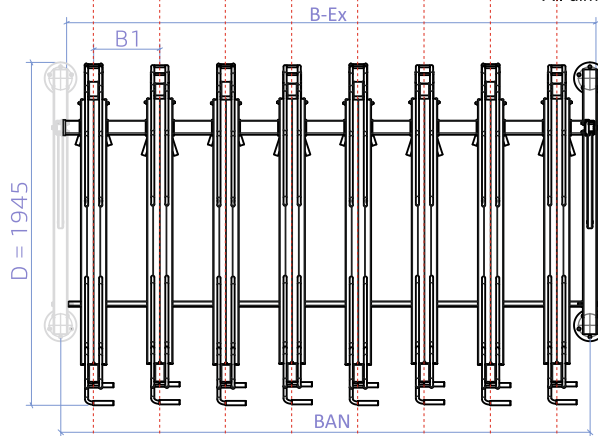
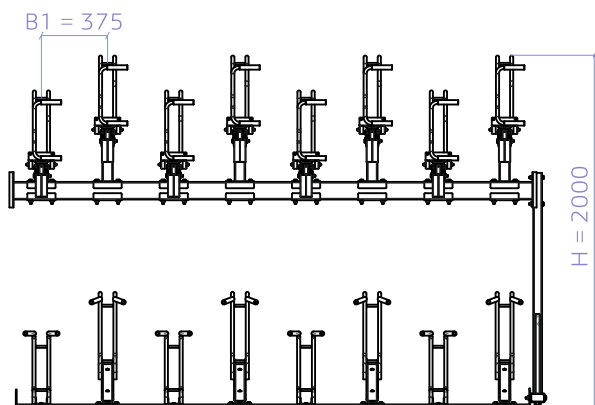


DIMENSIONS: BR.375_S_E_xx

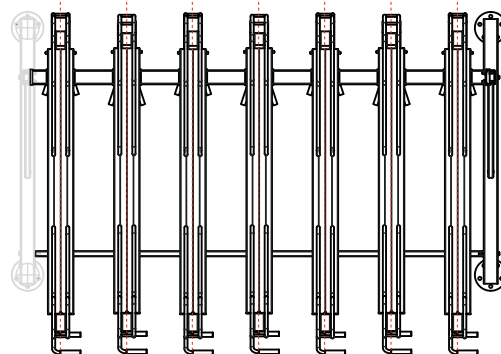
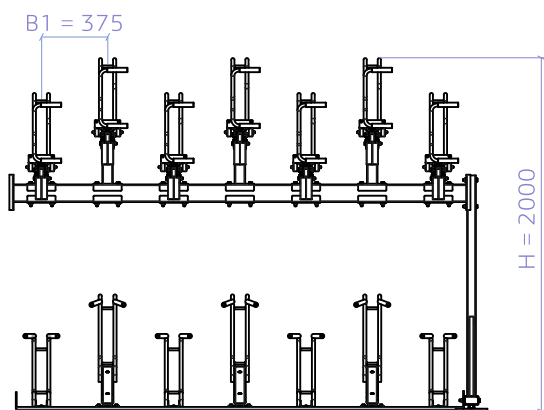
| TYPE | D | B1 | BAN | B-Ex | Weight [kg] |
|----------------|------|-----|------|------|-------------|
| BR.375_S_E_16 | 1945 | 375 | 3000 | 3000 | 334 |
| BR.375_S_E_14* | 1945 | 375 | 2625 | 2625 | 295 |
| BR.375_S_E_12 | 1945 | 375 | 2250 | 2250 | 257 |
| BR.375_S_E_10* | 1945 | 375 | 1875 | 1875 | 217 |

All dim. in [mm]

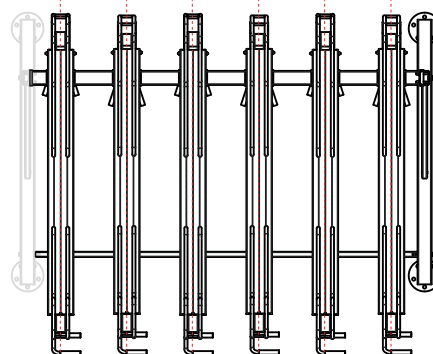
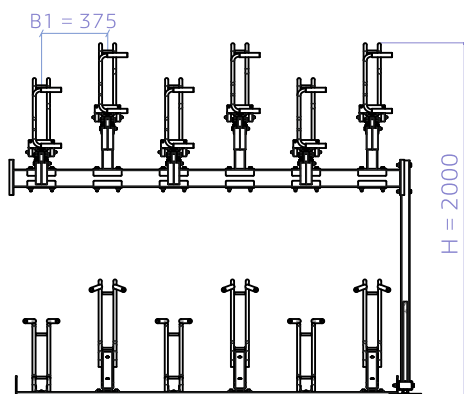
BR.375_S_E_16



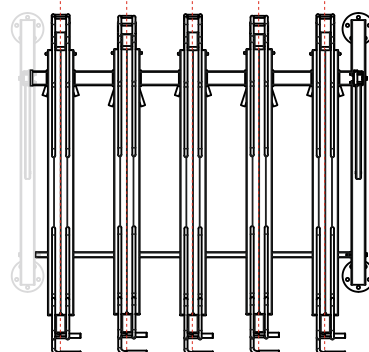
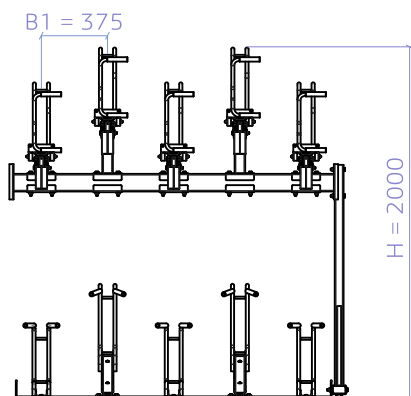
BR.375_S_E_14



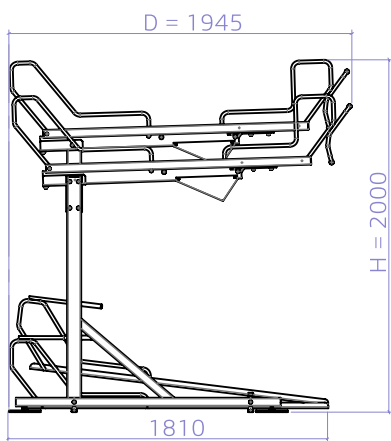
BR.375_S_E_12



BR.375_S_E_10



Extension modules for single Basic-1 modules. *spacing 375*

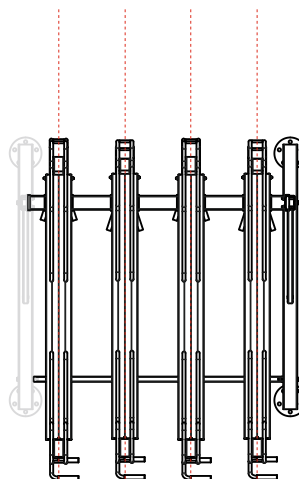
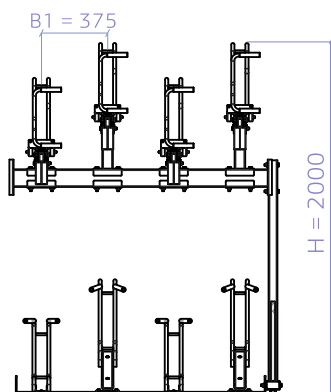


DIMENSIONS: BR.375_S_E_xx

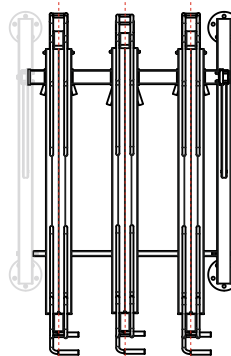
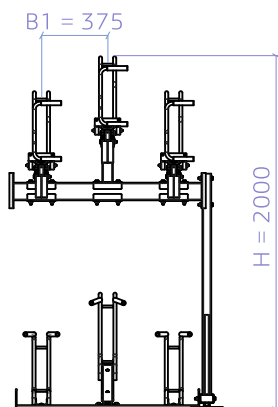
| TYPE | D | B1 | BAN | B-Ex | Weight [kg] |
|----------------|------|-----|------|------|-------------|
| BR.375_S_E_08 | 1945 | 375 | 1500 | 1500 | 179 |
| BR.375_S_E_06* | 1945 | 375 | 1125 | 1125 | 139 |
| BR.375_S_E_04 | 1945 | 375 | 750 | 750 | 101 |

All dim. in [mm]

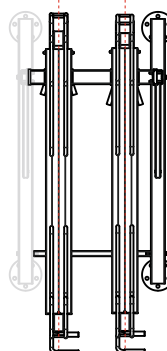
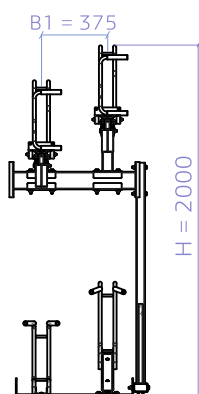
BR.375_S_E_08



BR.375_S_E_06



BR.375_S_E_04

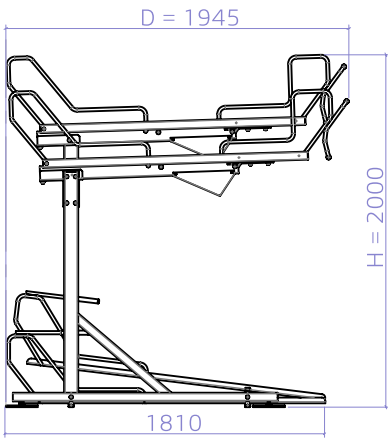


* An extension can only be used as the last module in a row

Single Basic-2 Modules

spacing 375

Non-extensible modules

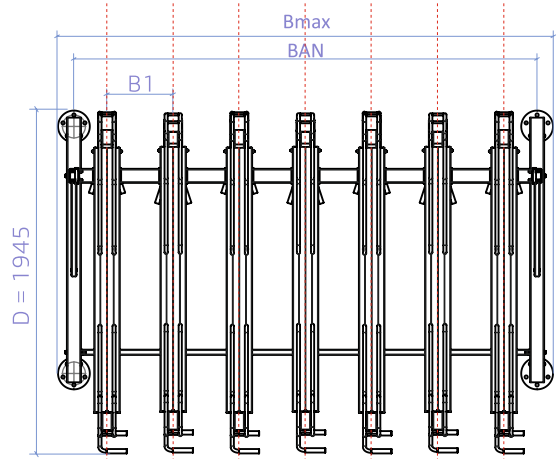
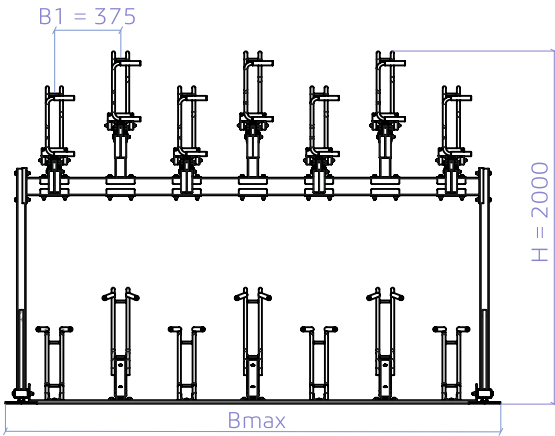


DIMENSIONS: BR.375_S_B_xx

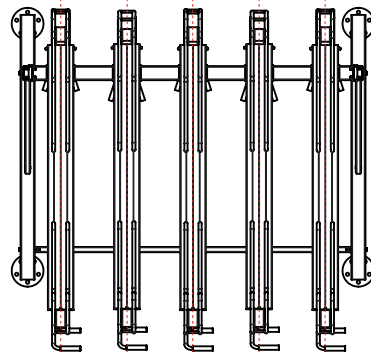
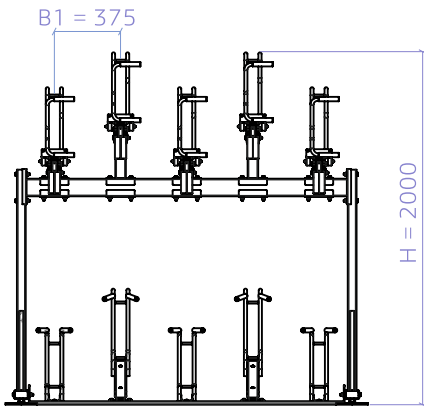
| TYPE | D | B1 | BAN | B max | Weight [kg] |
|-----------------|------|-----|------|-------|-------------|
| BR.375_S_B_14** | 1945 | 375 | 2625 | 2805 | 317 |
| BR.375_S_B_10** | 1945 | 375 | 1875 | 2055 | 239 |
| BR.375_S_B_06** | 1945 | 375 | 1125 | 1305 | 161 |

All dim. in [mm]

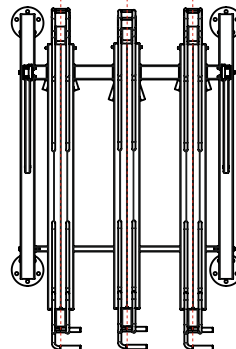
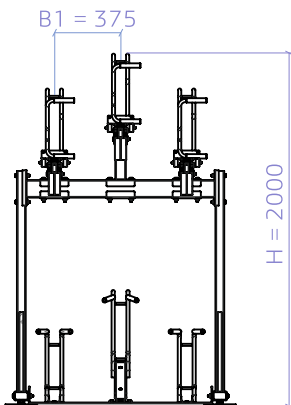
BR.375_S_B_14



BR.375_S_B_10



BR.375_S_B_06



**Free-standing racks only - cannot be extended with additional modules

Configuration example 1

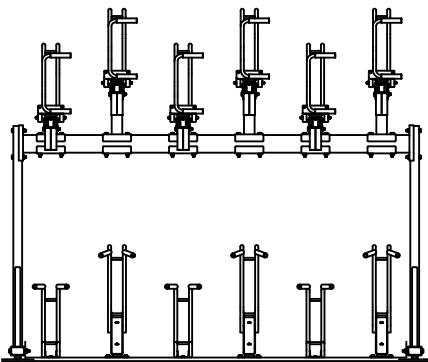
DIMENSIONS: BR.375_S_B_12

| TYPE | D | B1 | BAN | B max | Weight [kg] |
|---------------|------|-----|------|-------|-------------|
| BR.375_S_B_12 | 1945 | 375 | 2250 | 2430 | 279 |

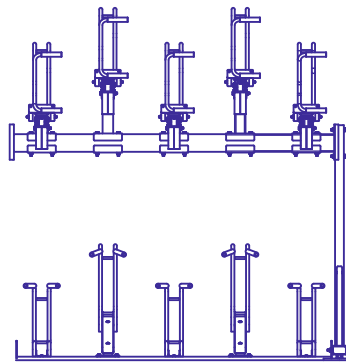
DIMENSIONS: BR.375_S_E_10

| TYPE | D | B1 | BAN | B-Ex | Weight [kg] |
|---------------|------|-----|------|------|-------------|
| BR.375_S_E_10 | 1945 | 375 | 1875 | 1875 | 217 |

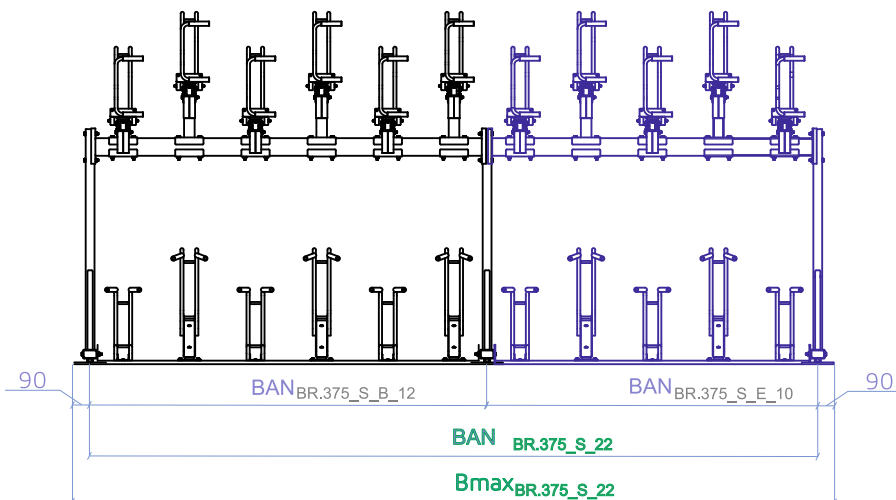
BR.375_S_B_12



BR.375_S_E_10



BR.375_S_B_12 + BR.375_S_E_10 = BR.375_S_22



$BAN_{BR.375_S_B_12} = 2250 \text{ mm}$

$BAN_{BR.375_S_E_10} = 1875 \text{ mm}$

$BAN_{BR.375_S_22} = BAN_{BR.375_S_B_12} + BAN_{BR.375_S_E_10} = 2250 + 1875 = 4125 \text{ mm}$

$Bmax_{BR.375_S_22} = BAN_{BR.375_S_B_12} + BAN_{BR.375_S_E_10} + 90 + 90 = 2250 + 1875 + 90 + 90 = 4305 \text{ mm}$

$Weight_{BR.375_S_22} = Weight_{BR.375_S_B_12} + Weight_{BR.375_S_E_10} = 279 + 217 = 496 \text{ kg}$

DIMENSIONS: BR.375_S_22

| TYPE | D | B1 | BAN | B max | Weight [kg] |
|-------------|------|-----|------|-------|-------------|
| BR.375_S_22 | 1945 | 375 | 4125 | 4305 | 496 |

Configuration example 2

DIMENSIONS: BR.375_S_B_16

| TYPE | D | B1 | BAN | B max | Weight [kg] |
|---------------|------|-----|------|-------|-------------|
| BR.375_S_B_16 | 1945 | 375 | 3000 | 3180 | 356 |

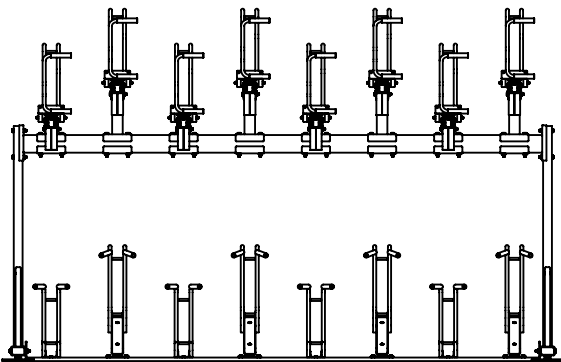
DIMENSIONS: BR.375_S_E_16

| TYPE | D | B1 | BAN | B-Ex | Weight [kg] |
|---------------|------|-----|------|------|-------------|
| BR.375_S_E_16 | 1945 | 375 | 3000 | 3000 | 334 |

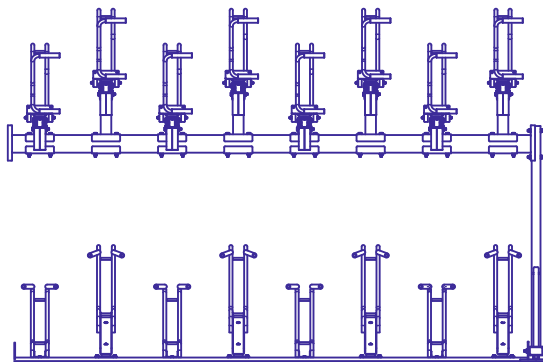
DIMENSIONS: BR.375_S_E_10

| TYPE | D | B1 | BAN | B-Ex | Weight [kg] |
|---------------|------|-----|------|------|-------------|
| BR.375_S_E_10 | 1945 | 375 | 1875 | 1875 | 217 |

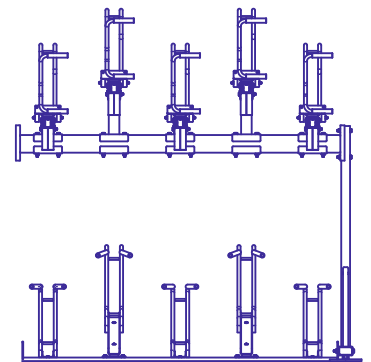
BR.375_S_B_16



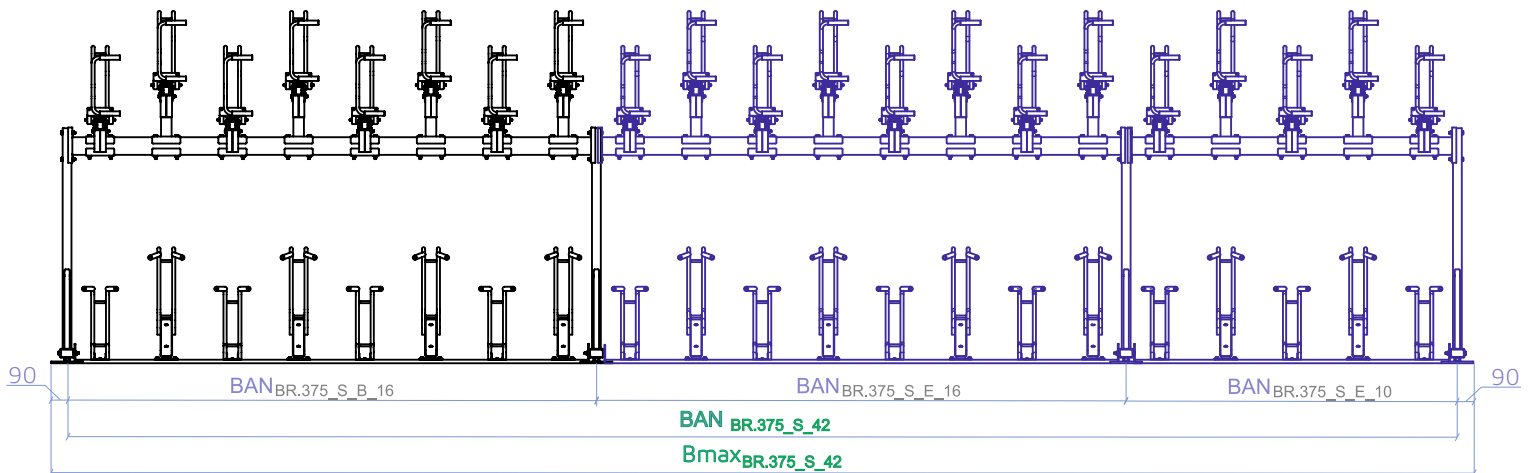
BR.375_S_E_16



BR.375_S_E_10



$$\text{BR.375_S_B_16} + \text{BR.375_S_E_16} + \text{BR.375_S_E_10} = \text{BR.375_S_42}$$



$$\text{BAN}_{\text{BR.375_S_B_16}} = 2250 \text{ mm}$$

$$\text{BAN}_{\text{BR.375_S_E_16}} = 1875 \text{ mm}$$

$$\text{BAN}_{\text{BR.375_S_E_10}} = 1875 \text{ mm}$$

$$\text{BAN}_{\text{BR.375_S_42}} = \text{BAN}_{\text{BR.375_S_B_16}} + \text{BAN}_{\text{BR.375_S_E_16}} + \text{BAN}_{\text{BR.375_S_E_10}} = 3000 + 3000 + 1875 = 7875 \text{ mm}$$

$$\text{Bmax}_{\text{BR.375_S_42}} = \text{BAN}_{\text{BR.375_S_B_16}} + \text{BAN}_{\text{BR.375_S_E_16}} + \text{BAN}_{\text{BR.375_S_E_10}} + 90 + 90 = 3000 + 3000 + 1875 + 90 + 90 = 8055 \text{ mm}$$

$$\text{Weight}_{\text{BR.375_S_42}} = \text{Weight}_{\text{BR.375_S_B_16}} + \text{Weight}_{\text{BR.375_S_E_16}} + \text{Weight}_{\text{BR.375_S_E_10}} = 356 + 334 + 217 = 907 \text{ kg}$$

DIMENSIONS: BR.375_S_42

| TYPE | D | B1 | BAN | B max | Weight [kg] |
|-------------|------|-----|------|-------|-------------|
| BR.375_S_42 | 1945 | 375 | 7875 | 8055 | 907 |

... other important dimensions

